

NOTES
 1. All dimensions are in metres unless otherwise stated.


KEY:


- Existing Features:-
- ◄ Traffic Sign
 - Bollards
 - LC
 - Lighting Column
 - Double Yellow Lines
 - Gully
 - Inspection Cover
- Proposed Features:-
- ▨ Area of carriageway to be resurfaced
 - ▭ Speed Cushion

Reproduced from the Ordnance Survey Map with the permission of the Controller of H.M. Stationery Office, Crown Copyright reserved. Licence No. 100018318

DRAFT

01	Additional speed cushion included (Detail B)		Feb, 2010
Rev	Revision details	Chkd / Appd	Date
	Drawn: J Hughes		
	Design: D Lau		
	Chkcd: M Dias		
	Appd: M Dias		
	Date: 24/11/2009		
	As constructed		
	Other		
	Preliminary		✓
	For comment		
	For tender		





Client

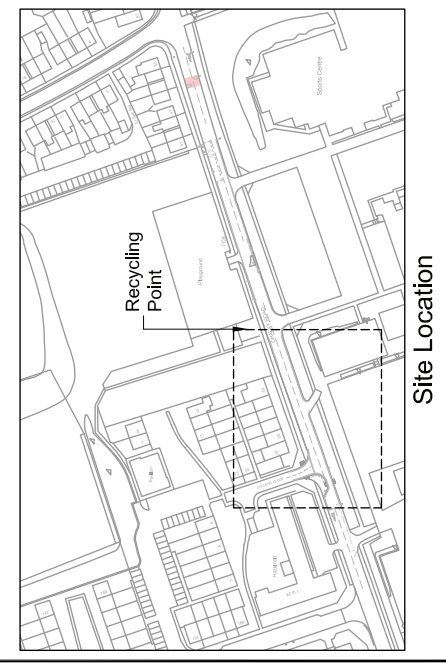
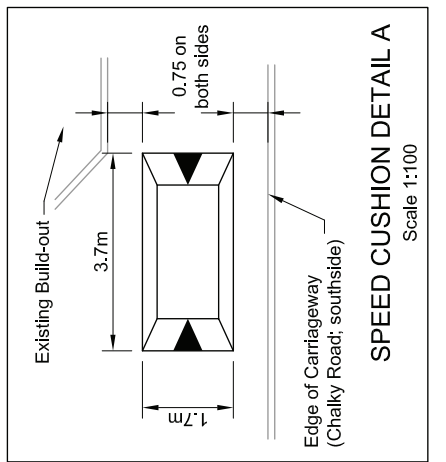
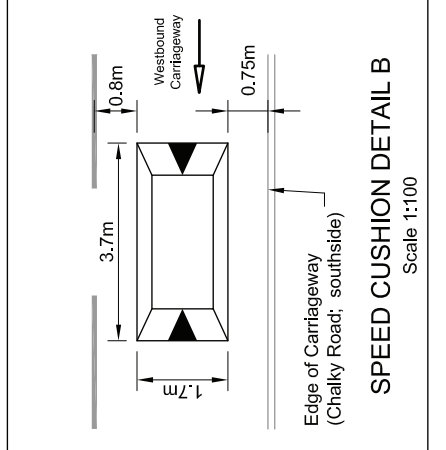
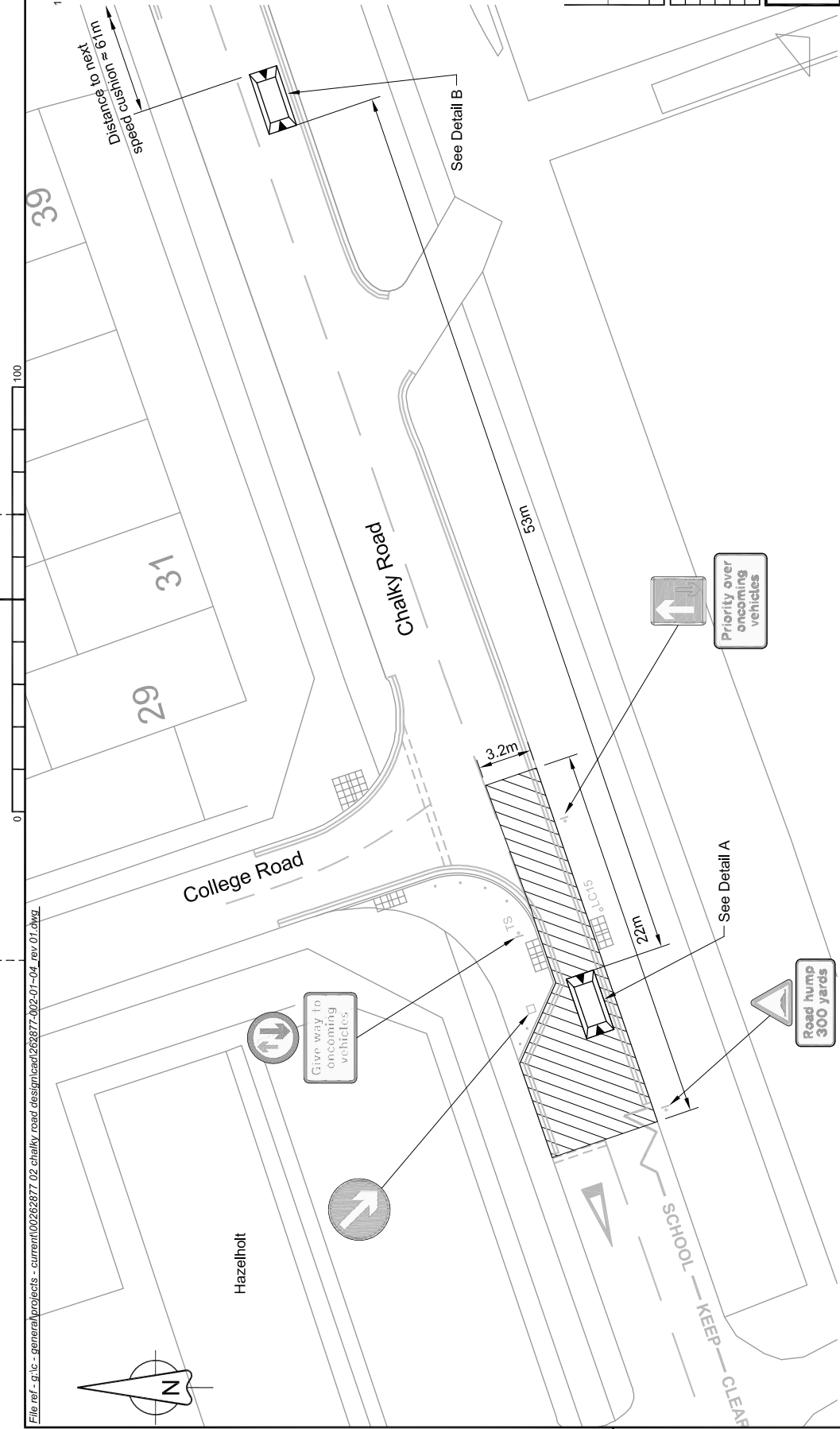
Project Name
CHALKY ROAD, PORTSLADE

Drawing Title
**TRAFFIC CALMING PROPOSALS
 Layout of Speed Cushion
 - College Close
 (Sheet 2 of 4)**

Original Drawing Size : A3
 Scale : 1:250
 Dimensions : m

Drawing No
00262877/002/02

Rev
01



Site Location



Scale 1:100

Scale 1:100

Scale 1:100

